

ROBOTICS

# Product manual, spare parts

## CRB 1300



Trace back information:  
Workspace 22D version a9  
Checked in 2022-12-16  
Skribenta version 5.5.019

**Product manual, spare parts**

**CRB 1300-11/0.9**

**CRB 1300-10/1.15**

**CRB 1300-7/1.4**

**OmniCore**

**Document ID: 3HAC083112-001**

**Revision: A**

The information in this manual is subject to change without notice and should not be construed as a commitment by ABB. ABB assumes no responsibility for any errors that may appear in this manual.

Except as may be expressly stated anywhere in this manual, nothing herein shall be construed as any kind of guarantee or warranty by ABB for losses, damage to persons or property, fitness for a specific purpose or the like.

In no event shall ABB be liable for incidental or consequential damages arising from use of this manual and products described herein.

This manual and parts thereof must not be reproduced or copied without ABB's written permission.

Keep for future reference.

Additional copies of this manual may be obtained from ABB.

Original instructions.

© Copyright 2022 ABB. All rights reserved.  
Specifications subject to change without notice.

# Table of contents

Overview of this manual .....	7
Product documentation .....	8
<b>1 Spare parts and exploded views</b> .....	<b>11</b>
1.1 Spare parts - electrical parts .....	12
1.1.1 Manipulator cable harness .....	12
1.1.2 Manipulator cable harness parts .....	15
1.1.3 Cables and connector kits .....	17
1.1.4 Brake release unit .....	18
1.1.5 SMB unit .....	19
1.2 Spare parts - base .....	20
1.2.1 Base .....	20
1.2.2 Base parts .....	21
1.3 Spare parts - swing .....	23
1.3.1 Swing .....	23
1.3.2 Swing parts .....	24
1.4 Spare parts - lower arm .....	28
1.4.1 Lower arm .....	28
1.4.2 Lower arm parts .....	29
1.5 Spare parts - housing and extender unit .....	31
1.6 Spare parts - tubular .....	33
1.7 Spare parts - tilt unit .....	34
1.8 Spare parts - motors .....	35
1.8.1 Axis-1 motor .....	35
1.8.2 Axis-2 motor .....	36
1.8.3 Axis-3 motor .....	37
1.8.4 Axis-4 motor .....	38
1.8.5 Axis-5 and axis-6 motors .....	39
1.9 Spare parts - gearboxes .....	40
1.9.1 Axis-1 gearbox .....	40
1.9.2 Axis-2 gearbox .....	41
1.9.3 Axis-3 gearbox .....	42
1.9.4 Axis-4 gearbox .....	43
1.10 Spare parts - mechanical stops .....	45
1.10.1 Axis-1 mechanical stops .....	45
1.10.2 Axis-2 mechanical stops .....	46
1.10.3 Axis-3 mechanical stops .....	47
1.10.4 Axis-4 mechanical stops .....	49
1.11 Spare parts - lead-through device .....	50
1.12 Spare parts - laser scanner .....	51
1.13 Spare parts - Accessories .....	52
1.13.1 Axis Calibration items .....	52
1.13.2 Special tools .....	56

**This page is intentionally left blank**

# Overview of this manual

## About this manual

This manual contains spare parts for:

- CRB 1300 and all its variants.

## Usage

This manual shall be used as a complement to the product manual for CRB 1300 during:

- maintenance work
- repair work.

## Who should read this manual?

This manual is intended for:

- maintenance personnel
- repair personnel.

## Prerequisites

Maintenance/repair/installation personnel working with an ABB Robot must:

- be trained by ABB and have the required knowledge of mechanical and electrical installation/repair/maintenance work.

## Organization of chapters

The manual is organized in the following chapters:

Chapter	Contents
1 Spare parts and exploded view	Complete spare part list and complete list of robot components shown in exploded views.

## References

Reference	Document ID
<i>Product manual - CRB 1300</i>	<i>3HAC083111-001</i>
<i>Circuit diagram - CRB 1300</i>	<i>3HAC080868-003</i>

## Revisions

Revision	Description
A	First edition.

# Product documentation

---

### Categories for user documentation from ABB Robotics

The user documentation from ABB Robotics is divided into a number of categories. This listing is based on the type of information in the documents, regardless of whether the products are standard or optional.



#### Tip

All documents can be found via myABB Business Portal, [www.abb.com/myABB](http://www.abb.com/myABB).

---

### Product manuals

Manipulators, controllers, DressPack/SpotPack, and most other hardware is delivered with a **Product manual** that generally contains:

- Safety information.
- Installation and commissioning (descriptions of mechanical installation or electrical connections).
- Maintenance (descriptions of all required preventive maintenance procedures including intervals and expected life time of parts).
- Repair (descriptions of all recommended repair procedures including spare parts).
- Calibration.
- Troubleshooting.
- Decommissioning.
- Reference information (safety standards, unit conversions, screw joints, lists of tools).
- Spare parts list with corresponding figures (or references to separate spare parts lists).
- References to circuit diagrams.

---

### Technical reference manuals

The technical reference manuals describe reference information for robotics products, for example lubrication, the RAPID language, and system parameters.

---

### Application manuals

Specific applications (for example software or hardware options) are described in **Application manuals**. An application manual can describe one or several applications.

An application manual generally contains information about:

- The purpose of the application (what it does and when it is useful).
- What is included (for example cables, I/O boards, RAPID instructions, system parameters, software).
- How to install included or required hardware.
- How to use the application.

*Continues on next page*



- Examples of how to use the application.

---

**Operating manuals**

The operating manuals describe hands-on handling of the products. The manuals are aimed at those having first-hand operational contact with the product, that is production cell operators, programmers, and troubleshooters.

**This page is intentionally left blank**

# 1 Spare parts and exploded views

---

### Spare part level

ABB spare parts are categorized into two levels, L1 and L2. Always check the part level before conducting a service work on a spare part.

- L1 spare parts

The L1 parts can be replaced in the field. The maintenance and replacement instructions given in the related product manuals must be strictly followed. If there are any problems, contact your local ABB for support.

- L2 spare parts

To replace the L2 parts require specialized training and might need special tools. Only ABB field service personnel or qualified personnel trained by ABB can replace L2 parts.

*Continues on next page*

# 1 Spare parts and exploded views

## 1.1.1 Manipulator cable harness

## 1.1 Spare parts - electrical parts

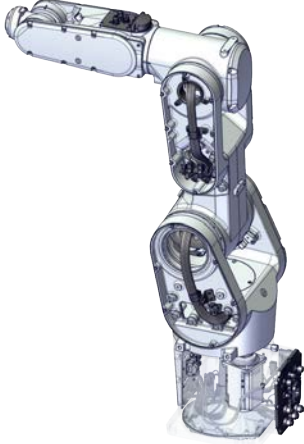

### 1.1.1 Manipulator cable harness

#### Spare part list

	Spare part number	Description	IP40	IP67	Spare part level
A	3HAC073305-001	Main cable harness, S (CP/CS and air hose, with Ethernet) Used for CRB 1300-11/0.9.	X	X	L2
B	3HAC073302-001	Main cable harness, M (CP/CS and air hose, with Ethernet) Used for CRB 1300-10/1.15.	X	X	L2
C	3HAC073299-001	Main cable harness, L (CP/CS and air hose, with Ethernet) Used for CRB 1300-7/1.4.	X	X	L2
D	3HAC082320-001	Lamp unit cover	X	X	L2
E	3HAC082935-001	Gasket for lamp unit cover	X	X	L2
F	3HAC081993-004	Multi-color lamp unit (16 mm)	X	X	L2
G	3HAC085071-001	Process hub with lamp unit (CP/CS and air hose, with Ethernet)	X	X	L2
H	3HAC070887-001	Gasket for process hub	X	X	L1

#### Spare part illustration

##### Cable harness

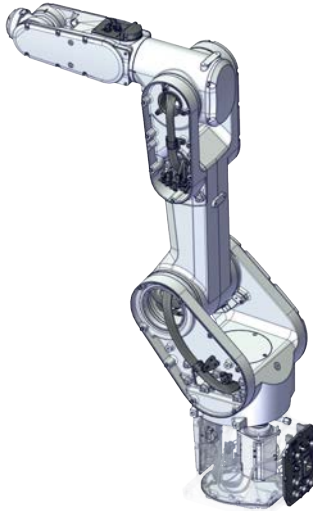
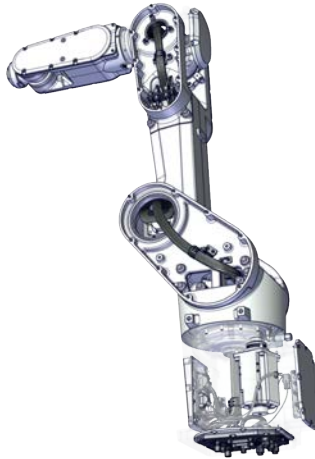
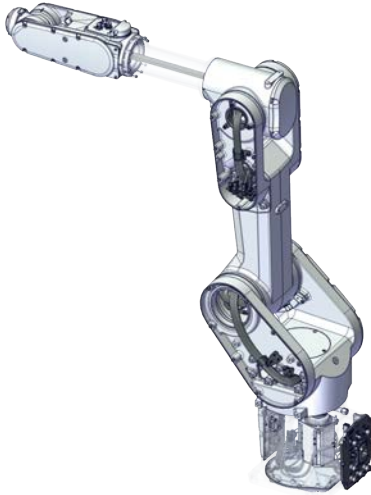

	Robot type	Rear connector interface	Bottom connector interface
A	CRB 1300-11/0.9	 <p>xx2200000947</p>	 <p>xx2000001261</p>

Continues on next page

# 1 Spare parts and exploded views

## 1.1.1 Manipulator cable harness

*Continued*

	Robot type	Rear connector interface	Bottom connector interface
B	CRB 1300-10/1.15	 xx2200000948	 xx2000001259
C	CRB 1300-7/1.4	 xx2200000949	 xx2000001257

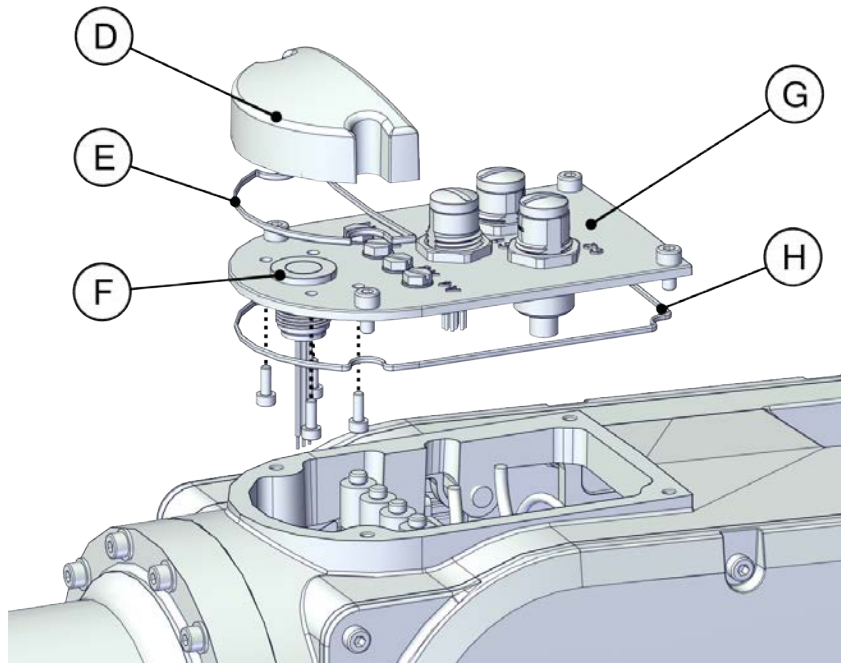
*Continues on next page*

# 1 Spare parts and exploded views

## 1.1.1 Manipulator cable harness

*Continued*

Process hub



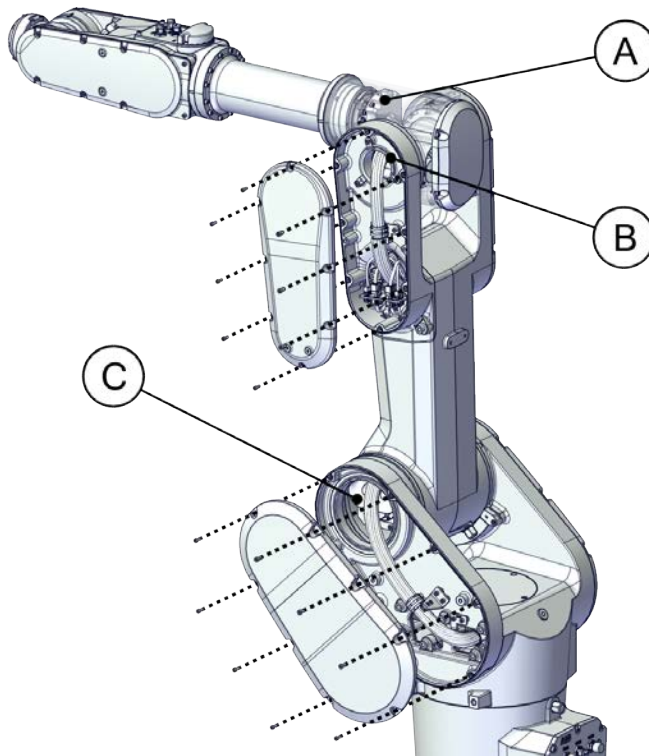
xx220000950

### 1.1.2 Manipulator cable harness parts

#### Spare part list

	Spare part number	Description	IP40	IP67	Spare part level
A	3HAC064694-001	Plastic cable protector, axis 4	X	X	L2
B	3HAC064693-001	Plastic cable protector, axis 3	X	X	L2
C	3HAC067816-001	Plastic cable protector, axis 2	X	X	L2
D	3HAC032050-001	Seal bolt		X	L1
E	3HAB3772-19	O-ring		X	L1

#### Spare part illustration



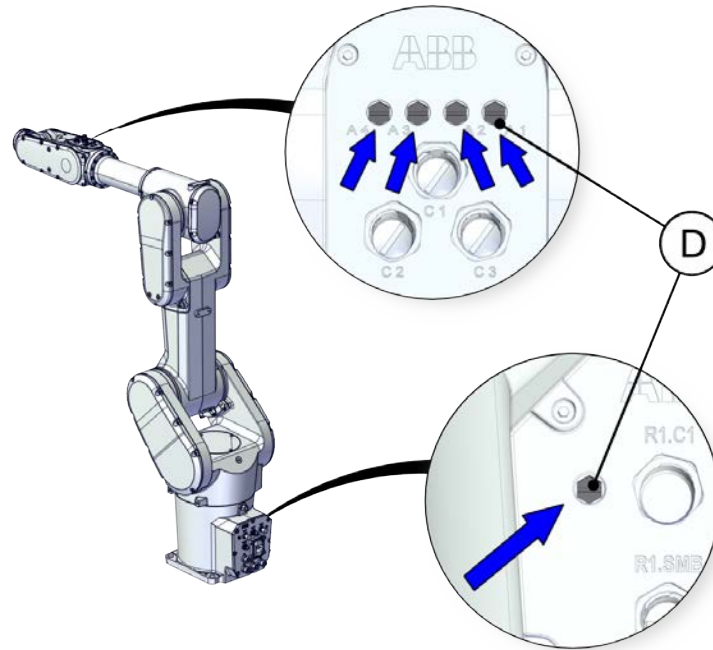
xx220000953

*Continues on next page*

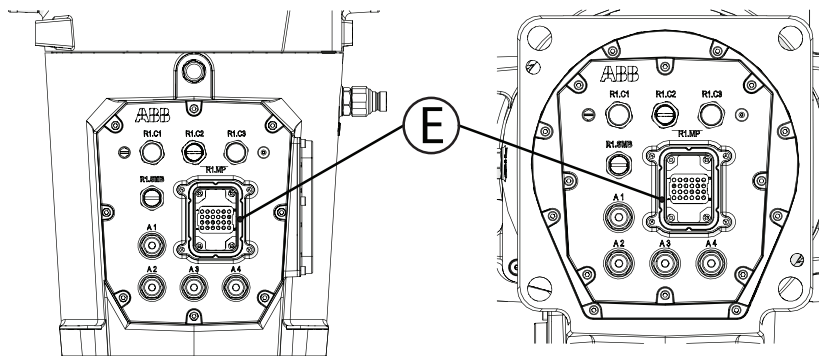
# 1 Spare parts and exploded views

## 1.1.2 Manipulator cable harness parts

Continued



xx2000002322



xx2000002340



### 1.1.3 Cables and connector kits

#### Spare part list

	Spare part number	Description	IP40	IP67	Spare part level
-	3HAC066098-001	M12 CPCS Male straight connector kits	X	X	L1
-	3HAC066099-001	M12 CPCS Male angled connector kits	X	X	L1
-	3HAC068412-001	M12 CPCS Male straight connector kits	X	X	L1
-	3HAC068413-001	M12 CPCS Male angled connector kits	X	X	L1
-	3HAC067413-001	M12 Ethernet Cat5e Male straight connector kits	X	X	L1
-	3HAC067414-001	M12 Ethernet Cat5e Male angled connector kits	X	X	L1
-	3HAC077245-001	Power cable, straight connector, 3 m	X	X	L1
-	3HAC077245-002	Power cable, straight connector, 7 m	X	X	L1
-	3HAC077245-003	Power cable, straight connector, 15 m	X	X	L1
-	3HAC077247-001	Power cable, angled connector, 3 m	X	X	L1
-	3HAC077247-002	Power cable, angled connector, 7 m	X	X	L1
-	3HAC077247-003	Power cable, angled connector, 15 m	X	X	L1
-	3HAC067446-001	Signal cable, shielded: 3 m	X	X	L1
-	3HAC067446-002	Signal cable, shielded: 7 m	X	X	L1
-	3HAC067446-003	Signal cable, shielded: 15 m	X	X	L1
-	3HAC078069-001	3 m, with lamp unit cabling	X	X	L1
-	3HAC078069-002	7 m, with lamp unit cabling	X	X	L1
-	3HAC078069-003	15 m, with lamp unit cabling	X	X	L1

# 1 Spare parts and exploded views

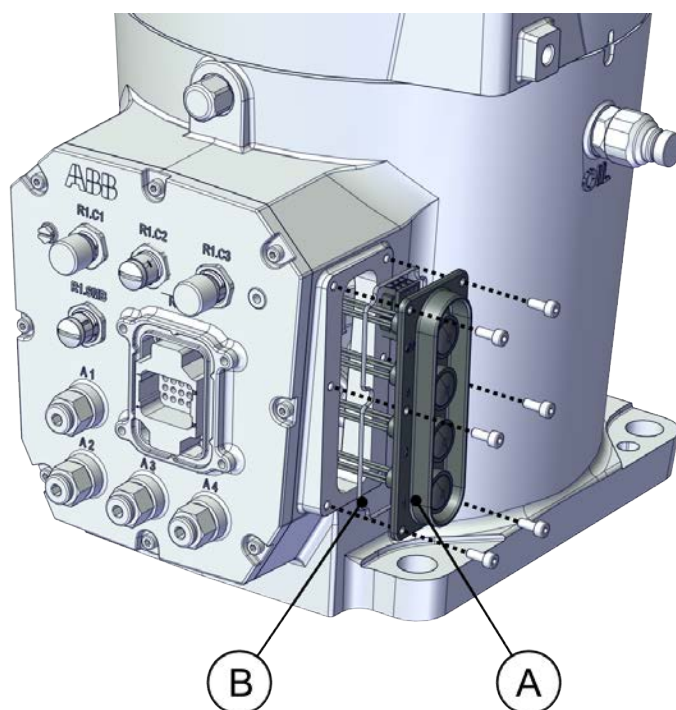
## 1.1.4 Brake release unit

### 1.1.4 Brake release unit

#### Spare part list

	Spare part number	Description	IP40	IP67	Spare part level
A	3HAC073296-001	Brake release unit	X	X	L2
B	3HAC070274-001	Gasket for brake release unit		X	L1

#### Spare part illustration



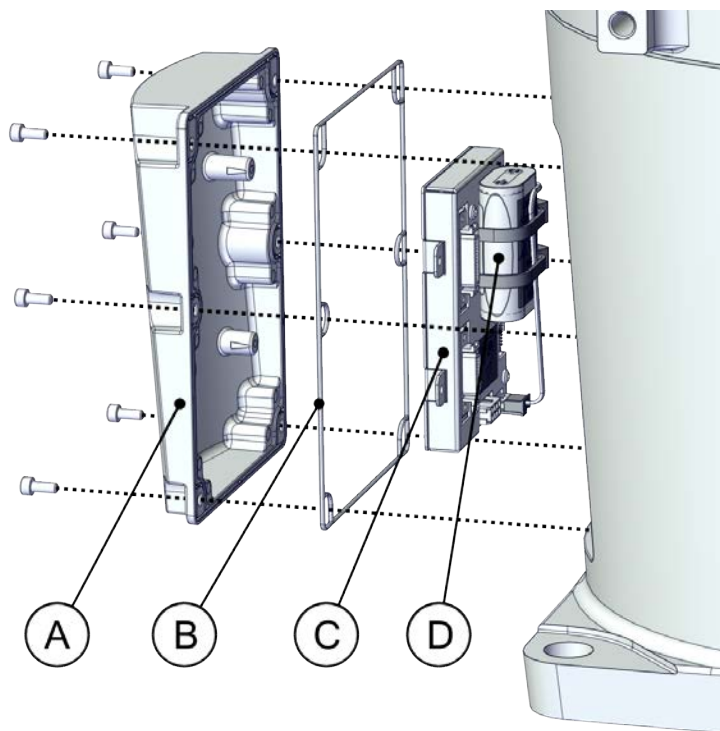
xx2000002323

1.1.5 SMB unit

Spare part list

	Spare part number	Description	IP40	IP67	Spare part level
A	3HAC076475-001	SMB cover	X	X	L1
B	3HAC067820-001	Gasket for SMB cover		X	L1
C	3HAC063968-001	Serial measurement unit	X	X	L2
D	3HAC044075-001	Battery pack	X	X	L2

Spare part illustration



xx2000002324

# 1 Spare parts and exploded views

## 1.2.1 Base

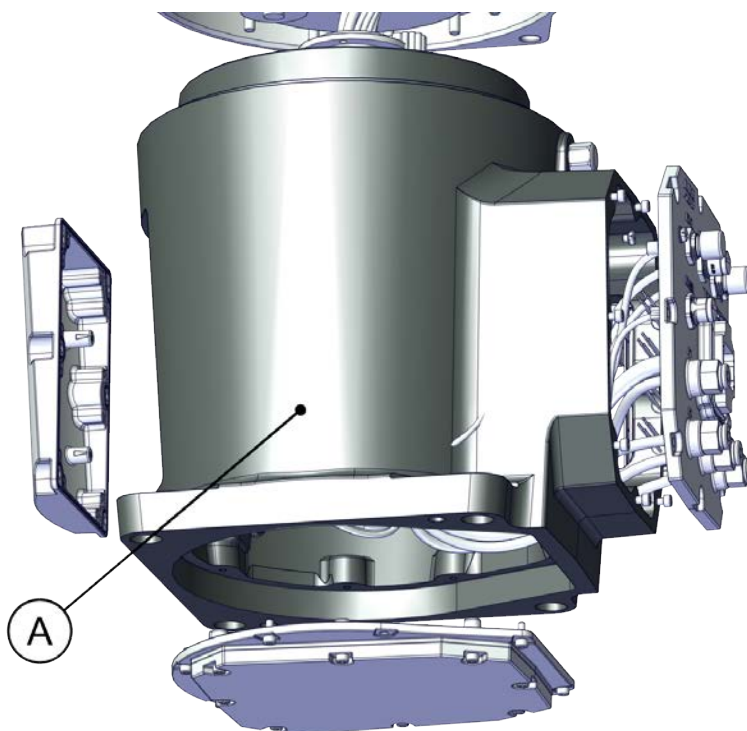
## 1.2 Spare parts - base

### 1.2.1 Base

#### Spare part list

	Spare part number	Description	IP40	IP67	Spare part level
A	3HAC073029-001	Base	X	X	L2

#### Spare part illustration



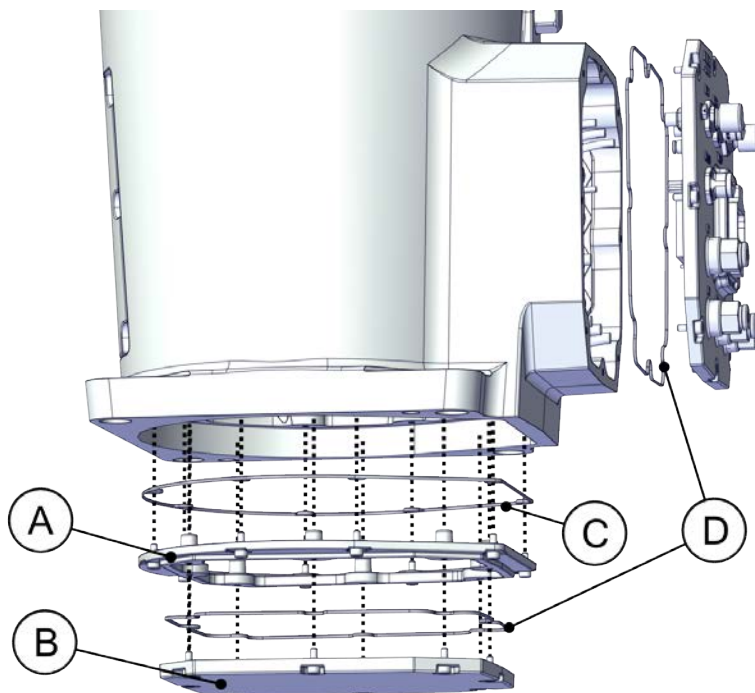
xx2000001230

### 1.2.2 Base parts

#### Spare part list

	Spare part number	Description	IP40	IP67	Spare part level
A	3HAC073089-001	Base adapter Used for robots with bottom connector interface.	X	X	L1
B	3HAC073090-001	Base cover	X	X	L1
C	3HAC067818-001	Gasket for base adapter		X	L1
D	3HAC067819-001	Gasket for base cover		X	L1
E	3HAC074630-001	Quick coupling	X	X	L1
F	3HAC066433-001	Radial sealing	X	X	L2
G	3HAC070148-002	Radial sealing	X	X	L2

#### Spare part illustration



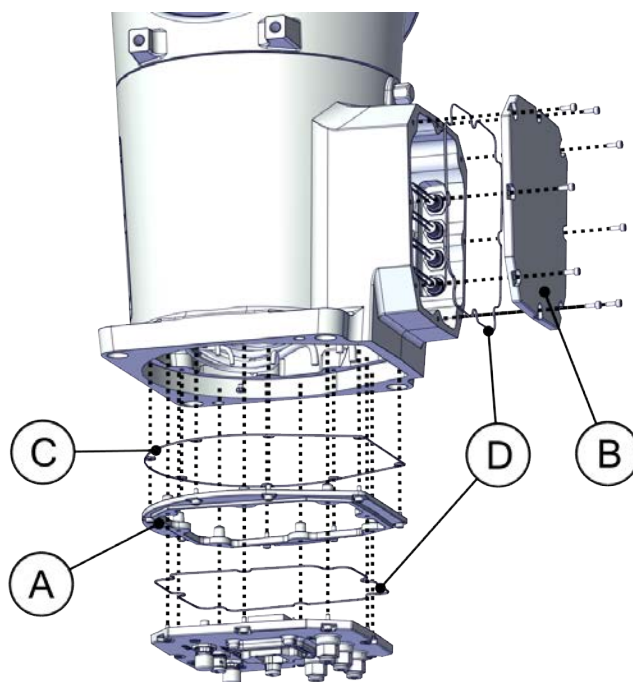
xx2000002325

*Continues on next page*

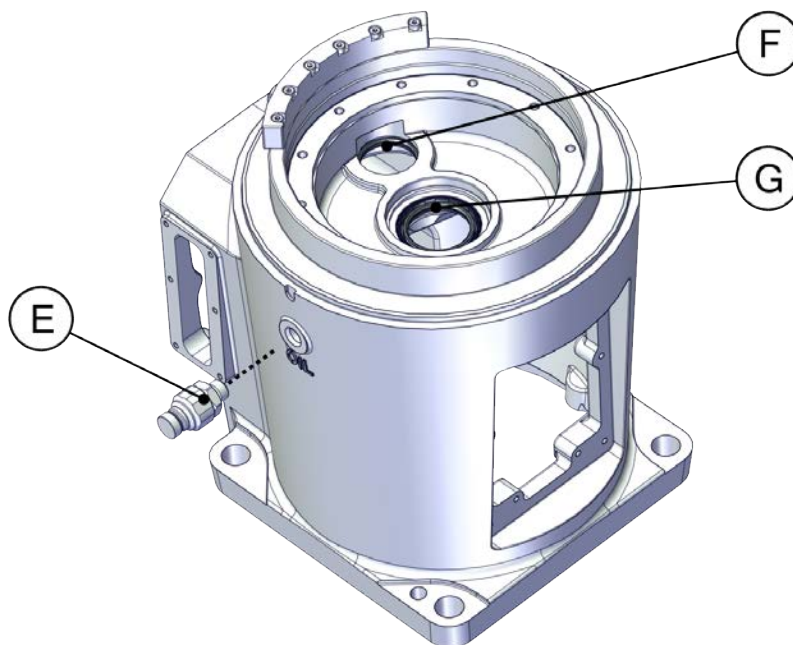
# 1 Spare parts and exploded views

## 1.2.2 Base parts

Continued



xx2000002320



xx2000002318

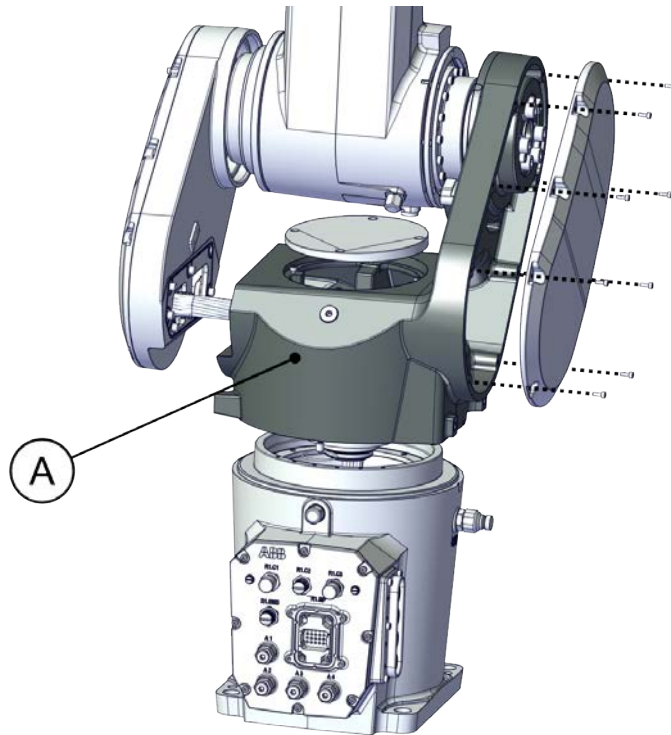
### 1.3 Spare parts - swing

#### 1.3.1 Swing

##### Spare part list

	Spare part number	Description	IP40	IP67	Spare part level
A	3HAC073040-001	Swing, short Used for CRB 1300-11/0.9.	X	X	L2
	3HAC073047-001	Swing, long Used for CRB 1300-10/1.15 and CRB 1300-7/1.4.	X	X	L2

##### Spare part illustration



xx2000001233

# 1 Spare parts and exploded views

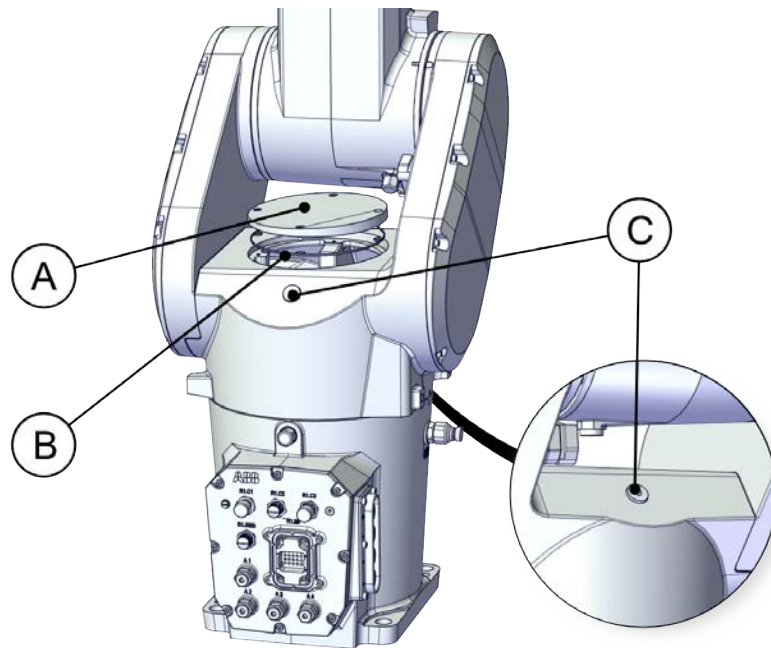
## 1.3.2 Swing parts

### 1.3.2 Swing parts

#### Spare part list - Part 1

	Spare part number	Description	IP40	IP67	Spare part level
A	3HAC073091-001	Swing top cover	X	X	L1
B	3HAC067821-001	Gasket for swing top cover		X	L1
C	3HAC037925-001	Magnetic oil plug, G 1/4"	X	X	L1

#### Spare part illustration - Part 1



xx2000002326

#### Spare part list - Part 2

	Spare part number	Description	IP40	IP67	Spare part level
D	3HAC073095-001	Swing cover, short Used for CRB 1300-11/0.9.	X	X	L1
	3HAC073096-001	Swing cover, long Used for CRB 1300-10/1.15 and CRB 1300-7/1.4.	X	X	L1
E	3HAC067824-001	Gasket for swing cover, short Used for CRB 1300-11/0.9.		X	L1
	3HAC067825-001	Gasket for swing cover, long Used for CRB 1300-10/1.15 and CRB 1300-7/1.4.		X	L1

Continues on next page

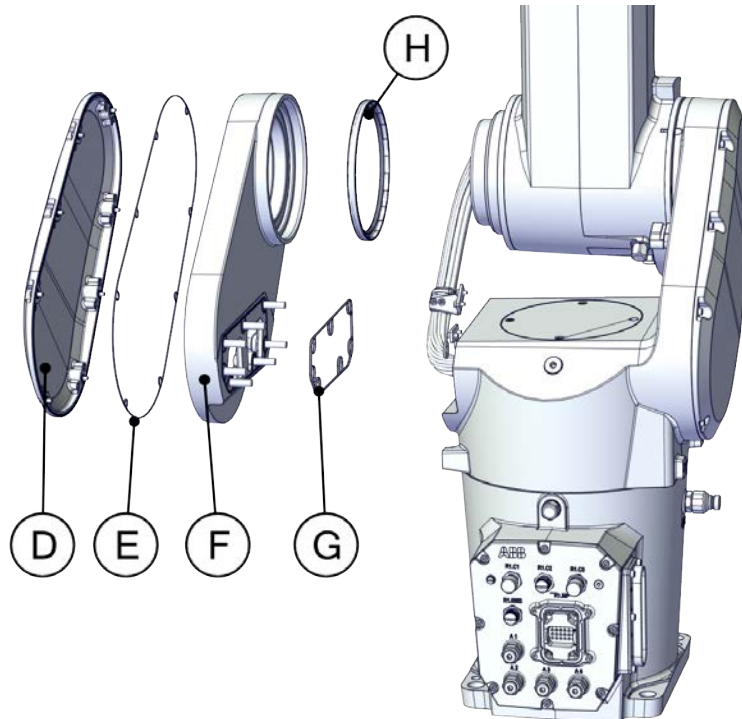


# 1 Spare parts and exploded views

## 1.3.2 Swing parts Continued

	Spare part number	Description	IP40	IP67	Spare part level
F	3HAC073041-001	Swing support, short Used for CRB 1300-11/0.9.	X	X	L2
	3HAC073052-001	Swing support, long Used for CRB 1300-10/1.15 and CRB 1300-7/1.4.	X	X	L2
G	3HAC067822-001	Gasket for swing support, short Used for CRB 1300-11/0.9.		X	L2
	3HAC067823-001	Gasket for swing support, long Used for CRB 1300-10/1.15 and CRB 1300-7/1.4.		X	L2
H	3HAC070148-004	Radial sealing on swing (to lower arm)		X	L2
J					
K	3HAC061327-036	O-ring on swing	X	X	L2

### Spare part illustration - Part 2



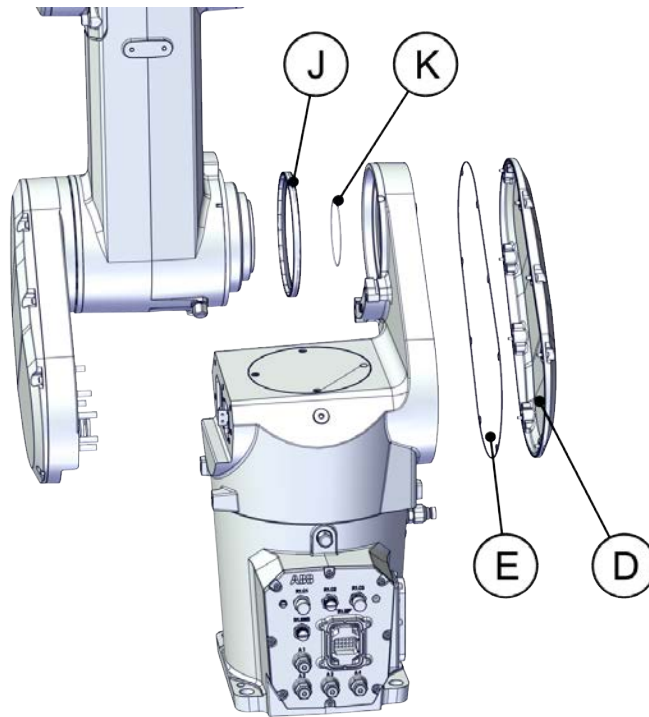
xx2000002327

Continues on next page

# 1 Spare parts and exploded views

## 1.3.2 Swing parts

Continued



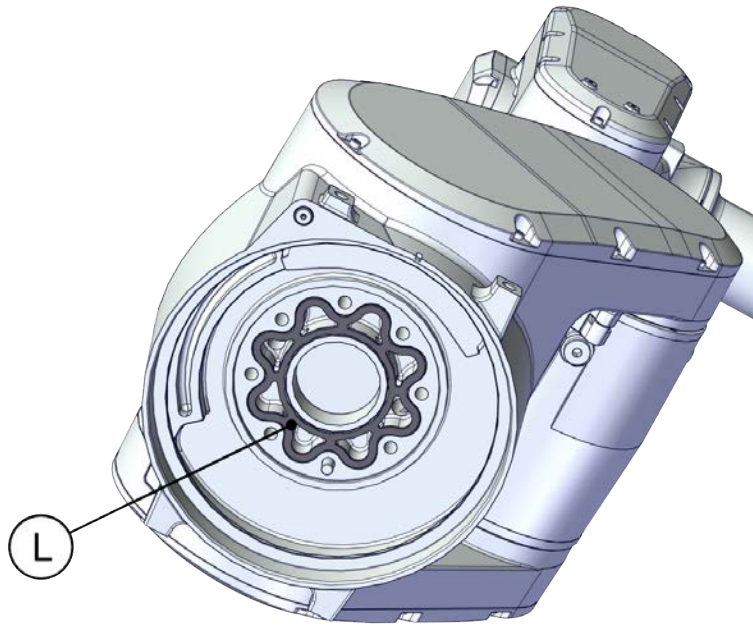
xx2000002328

### Spare part list - Part 3

	Spare part number	Description	IP40	IP67	Spare part level
L	3HAC067626-001	Gasket on swing	X	X	L2

Continues on next page

### Spare part illustration - Part 3



xx220000955

# 1 Spare parts and exploded views

## 1.4.1 Lower arm

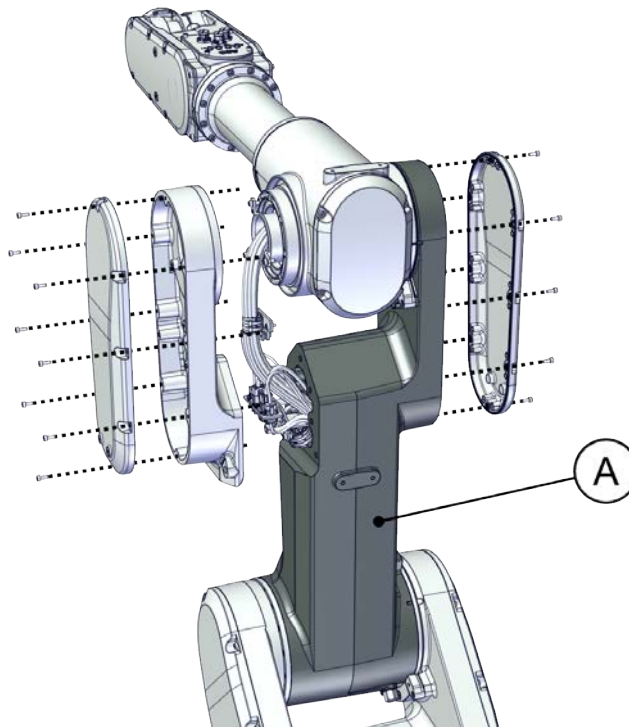
### 1.4 Spare parts - lower arm

#### 1.4.1 Lower arm

##### Spare part list

	Spare part number	Description	IP40	IP67	Spare part level
A	3HAC073073-001	Lower arm, short Used for CRB 1300-11/0.9.	X		L2
	3HAC077798-001	Lower arm, short, IP67 Used for CRB 1300-11/0.9.		X	L2
	3HAC073074-001	Lower arm, long Used for CRB 1300-10/1.15 and CRB 1300-7/1.4.	X		L2
	3HAC077799-001	Lower arm, long, IP67 Used for CRB 1300-10/1.15 and CRB 1300-7/1.4.		X	L2

##### Spare part illustration



xx2000001236

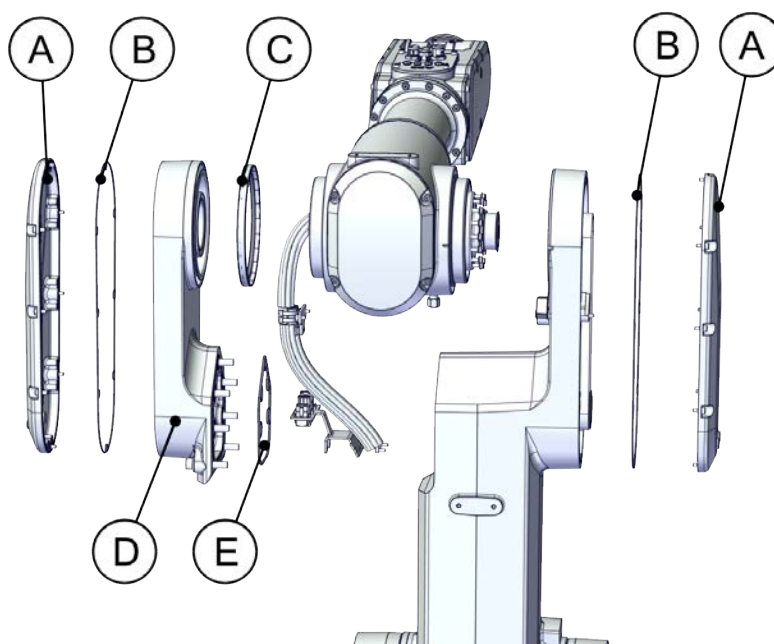
### 1.4.2 Lower arm parts

#### Spare part list - Part 1

	Spare part number	Description	IP40	IP67	Spare part level
A	3HAC073092-001	Lower arm cover <sup>i</sup>	X	X	L1
B	3HAC067832-001	Gasket for lower arm cover		X	L1
C	3HAC070148-005	Radial sealing on lower arm		X	L2
D	3HAC073076-001	Lower arm support	X	X	L2
E	3HAC067826-001	Gasket for lower arm support		X	L2

<sup>i</sup> The cover spare part is delivered with no collaborative stickers attached. Contact your local ABB Customer Service to get more information.

#### Spare part illustration - Part 1



xx220000956

#### Spare part list - Part 2

	Spare part number	Description	IP40	IP67	Spare part level
F	3HAC065676-001	Sealing ring, swing support side	X	X	L2
G	3HAC061327-015	O-ring on lower arm		X	L2
H	3HAC065675-001	Sealing ring, swing side		X	L2
J	3HAC037925-001	Magnetic oil plug, G 1/4"	X	X	L1

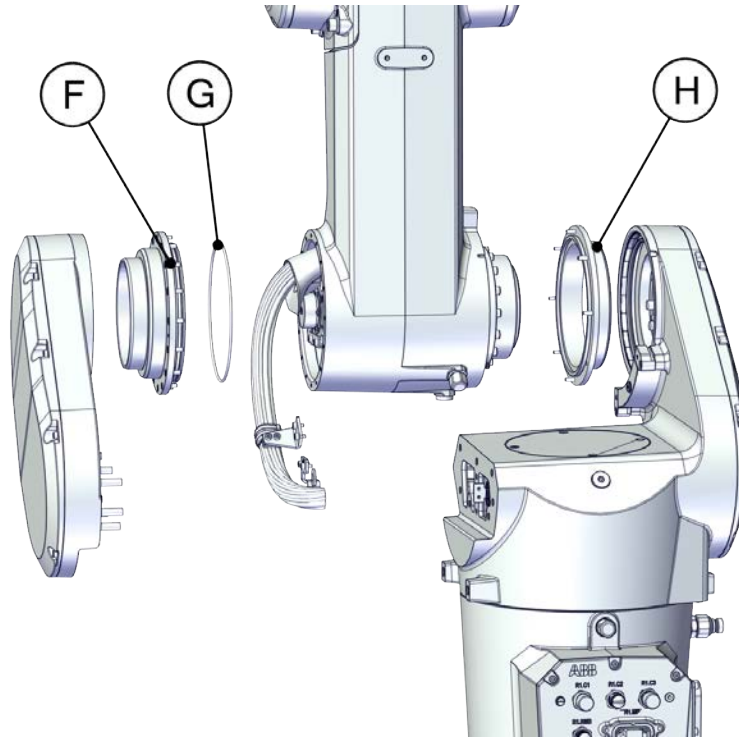
*Continues on next page*

# 1 Spare parts and exploded views

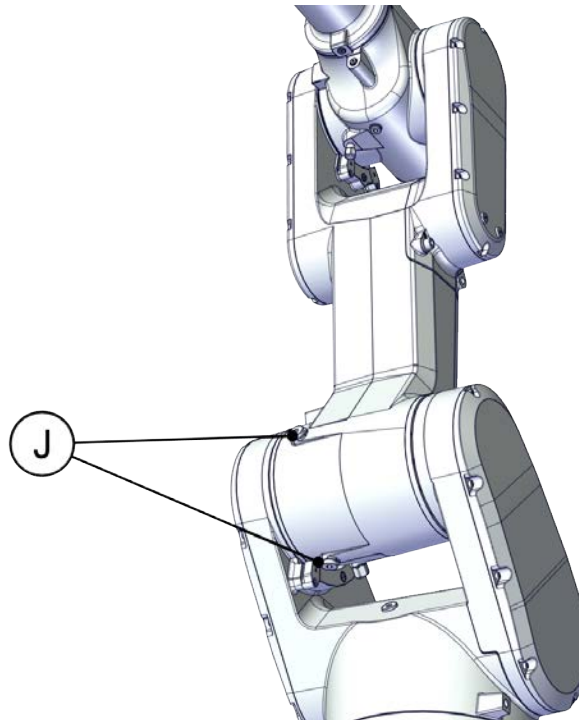
## 1.4.2 Lower arm parts

Continued

### Spare part illustration - Part 2



xx220000957



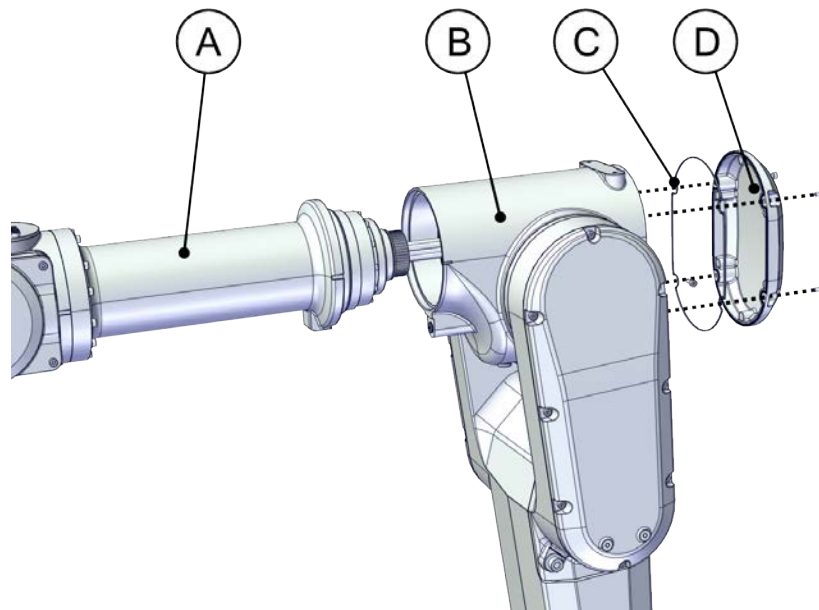
xx220000958

1.5 Spare parts - housing and extender unit

Spare part list

	Spare part number	Description	IP40	IP67	Spare part level
A	3HAC073085-001	Extender unit Used for CRB 1300-7/1.4.	X	X	L2
B	3HAC073079-001	Housing	X		L2
	3HAC077801-001	Housing, IP67		X	L2
C	3HAC067833-001	Gasket for housing cover		X	L1
D	3HAC073093-001	Housing cover	X	X	L1
E	3HAC078352-001	Plug screw	X	X	L1
-	3HAB3413-412	Flange socket head screw with glue	X	X	L2

Spare part illustration



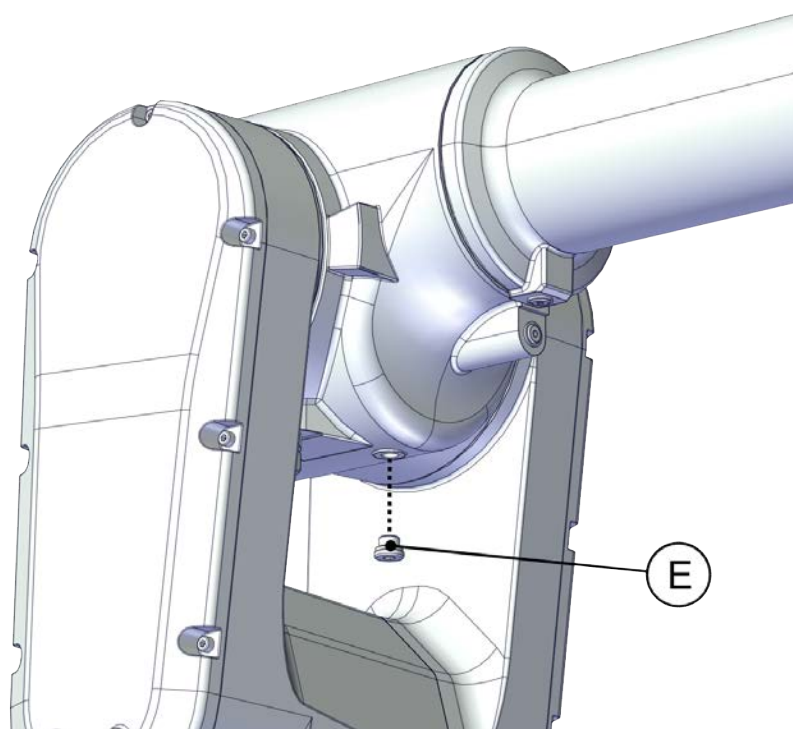
xx220000971

*Continues on next page*

# 1 Spare parts and exploded views

## 1.5 Spare parts - housing and extender unit

*Continued*



xx220000959



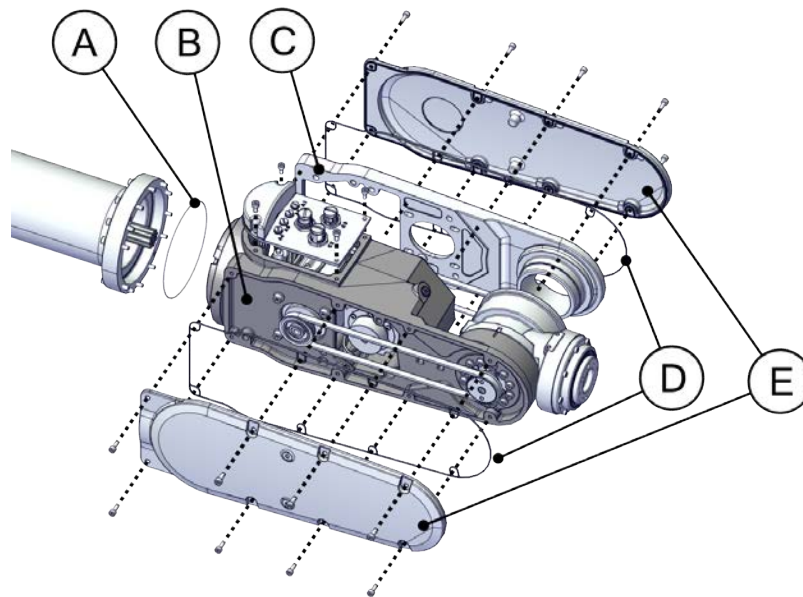
### 1.6 Spare parts - tubular

#### Spare part list

	Spare part number	Description	IP40	IP67	Spare part level
A	3HAC061327-018	O-ring on tubular		X	L2
B	3HAC073081-001	Tubular	X	X	L2
C	3HAC073082-001	Tubular support	X		L2
	3HAC077803-001	Tubular support, IP67		X	L2
D	3HAC067834-001	Gasket for tubular cover		X	L1
E	3HAC073094-001	Tubular cover <sup>i</sup>	X	X	L1

<sup>i</sup> The cover spare part is delivered with no collaborative stickers attached. Contact your local ABB Customer Service to get more information.

#### Spare part illustration



xx220000960

# 1 Spare parts and exploded views

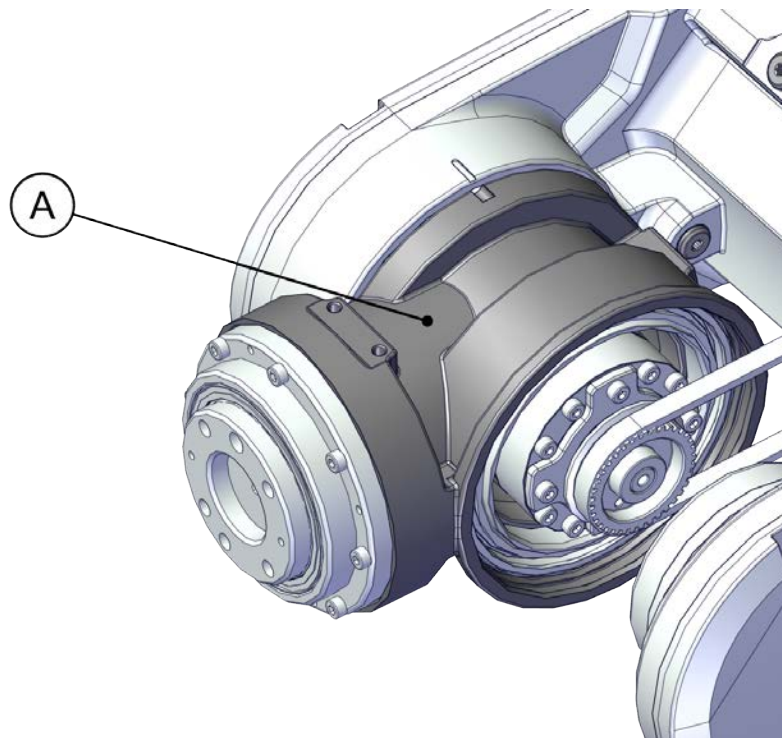
## 1.7 Spare parts - tilt unit

### 1.7 Spare parts - tilt unit

#### Spare part list

	Spare part number	Description	IP40	IP67	Spare part level
A	3HAC073083-001	Tilt unit	X		L2
	3HAC077804-001	Tilt unit, IP67		X	L2

#### Spare part illustration



xx220000961

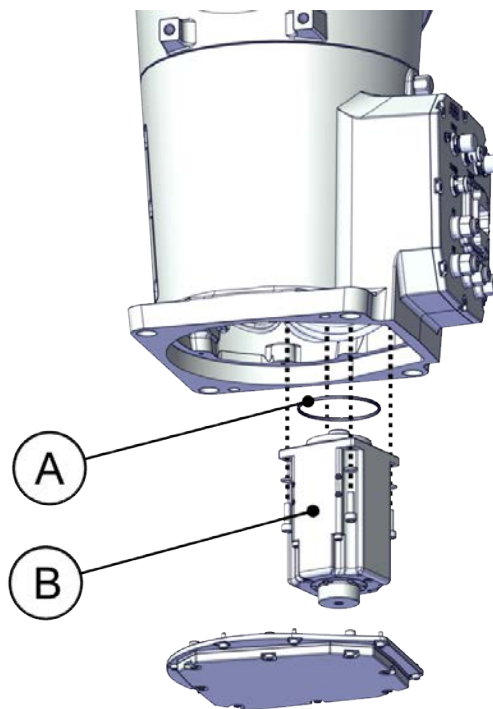
### 1.8 Spare parts - motors

#### 1.8.1 Axis-1 motor

##### Spare part list

	Spare part number	Description	IP40	IP67	Spare part level
A	3HAC061327-037	O-ring on motor unit	X	X	L2
B	3HAC073039-001	Motor unit, axis 1	X	X	L2

##### Spare part illustration



xx2000001241

# 1 Spare parts and exploded views

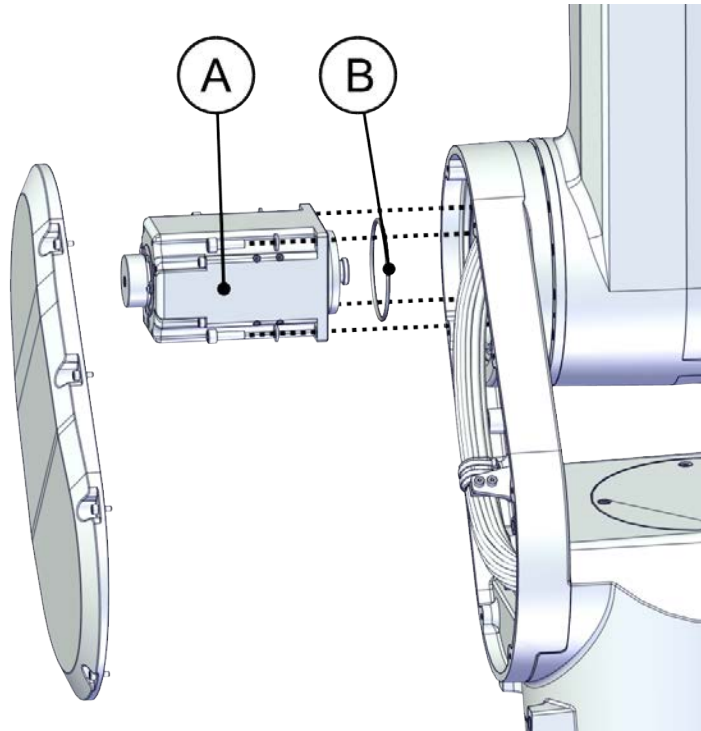
## 1.8.2 Axis-2 motor

### 1.8.2 Axis-2 motor

#### Spare part list

	Spare part number	Description	IP40	IP67	Spare part level
A	3HAC073078-001	Motor unit, axis 2	X	X	L2
B	3HAC061327-037	O-ring on motor unit	X	X	L2

#### Spare part illustration



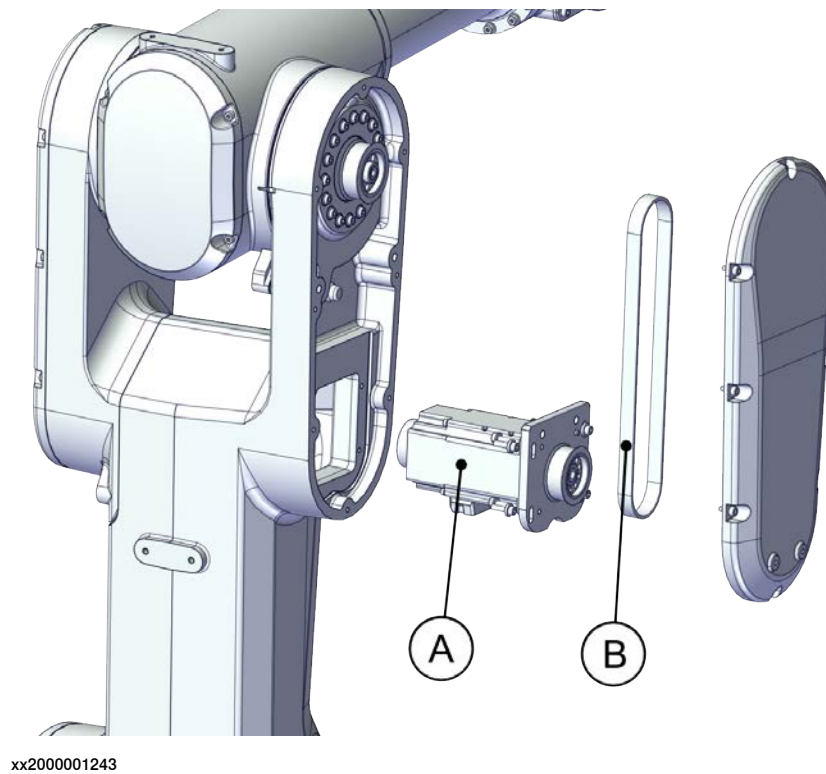
xx2000001242

### 1.8.3 Axis-3 motor

#### Spare part list

	Spare part number	Description	IP40	IP67	Spare part level
A	3HAC073086-001	Motor unit, axis 3	X	X	L2
B	3HAC067040-001	Timing belt, axis 3	X	X	L2

#### Spare part illustration



# 1 Spare parts and exploded views

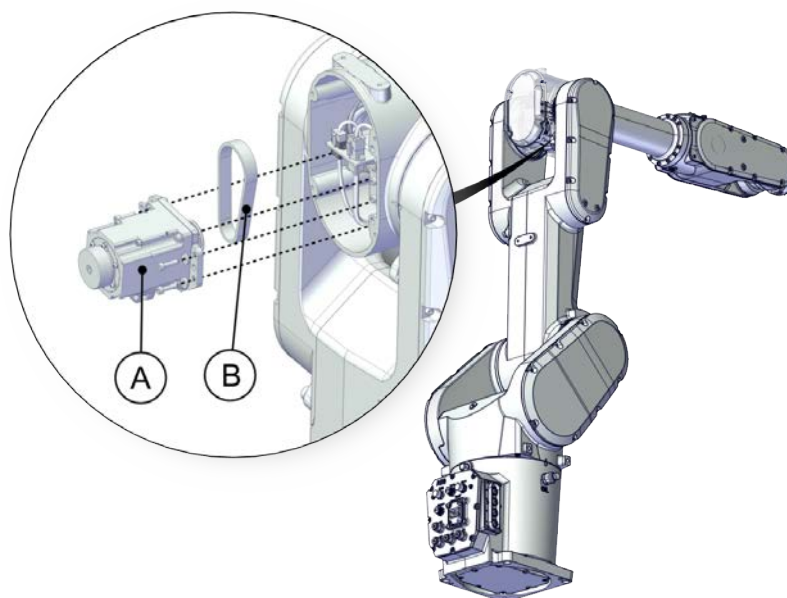
## 1.8.4 Axis-4 motor

### 1.8.4 Axis-4 motor

#### Spare part list

	Spare part number	Description	IP40	IP67	Spare part level
A	3HAC073087-001	Motor unit, axis 4	X	X	L2
B	3HAC065806-001	Timing belt, axis 4	X	X	L2

#### Spare part illustration



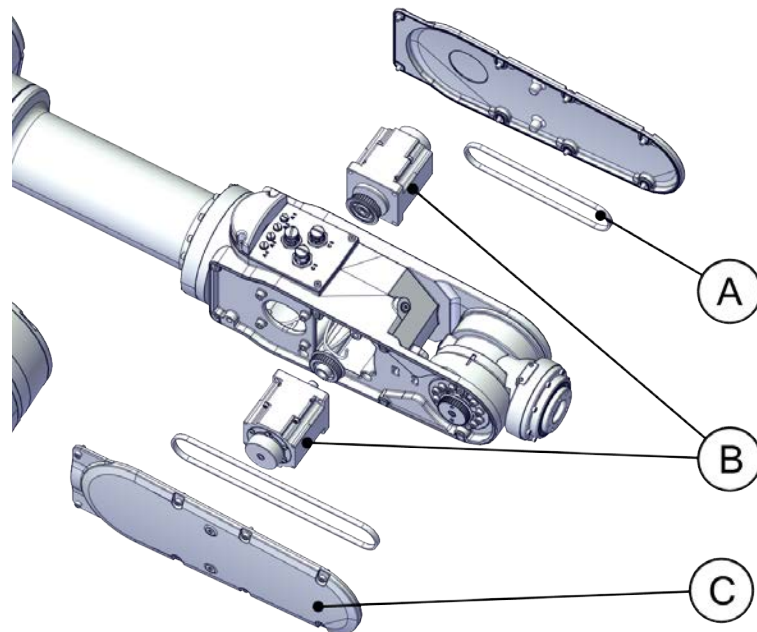
xx2000001244

### 1.8.5 Axis-5 and axis-6 motors

#### Spare part list

	Spare part number	Description	IP40	IP67	Spare part level
A	3HAC065788-001	Timing belt, axis 6	X	X	L2
B	3HAC073088-001	Motor unit, axis 5 and axis 6	X	X	L2
C	3HAC065794-001	Timing belt, axis 5	X	X	L2

#### Spare part illustration



xx220000962

# 1 Spare parts and exploded views

## 1.9.1 Axis-1 gearbox

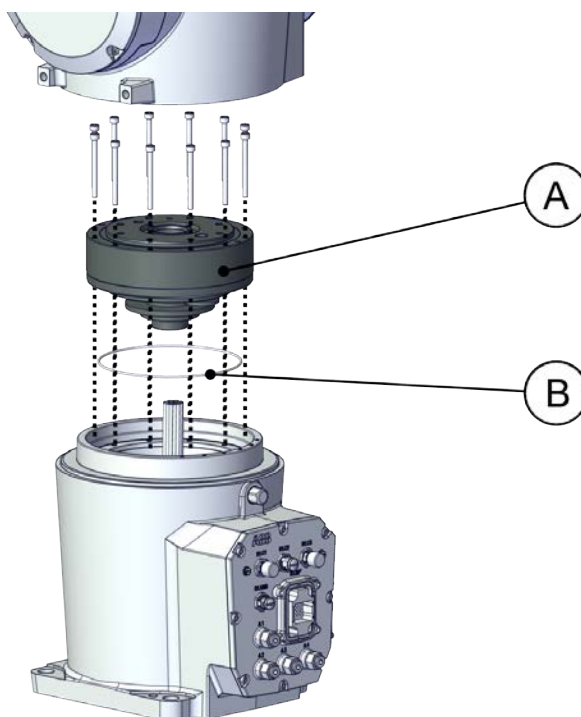
## 1.9 Spare parts - gearboxes

### 1.9.1 Axis-1 gearbox

#### Spare part list

	Spare part number	Description	IP40	IP67	Spare part level
A	3HAC063187-001	Gear unit, axis 1	X	X	L2
B	3HAC063187-007	O-ring on axis-1 gear unit	X	X	L2

#### Spare part illustration



xx2000001246

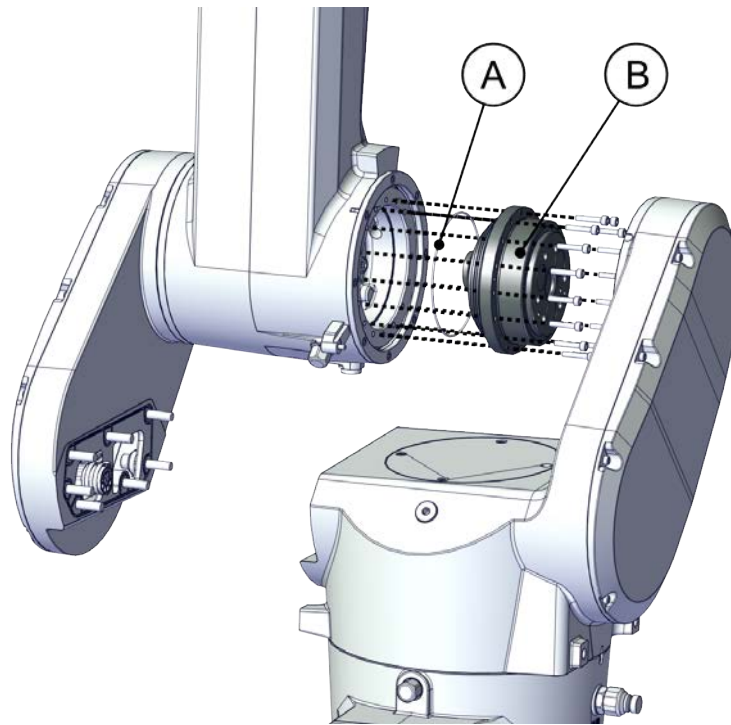


### 1.9.2 Axis-2 gearbox

#### Spare part list

	Spare part number	Description	IP40	IP67	Spare part level
A	3HAC064977-001	Gear unit, axis 2	X	X	L2
B	3HAC064977-004	O-ring on axis-2 gear unit	X	X	L2

#### Spare part illustration



xx2000001247

# 1 Spare parts and exploded views

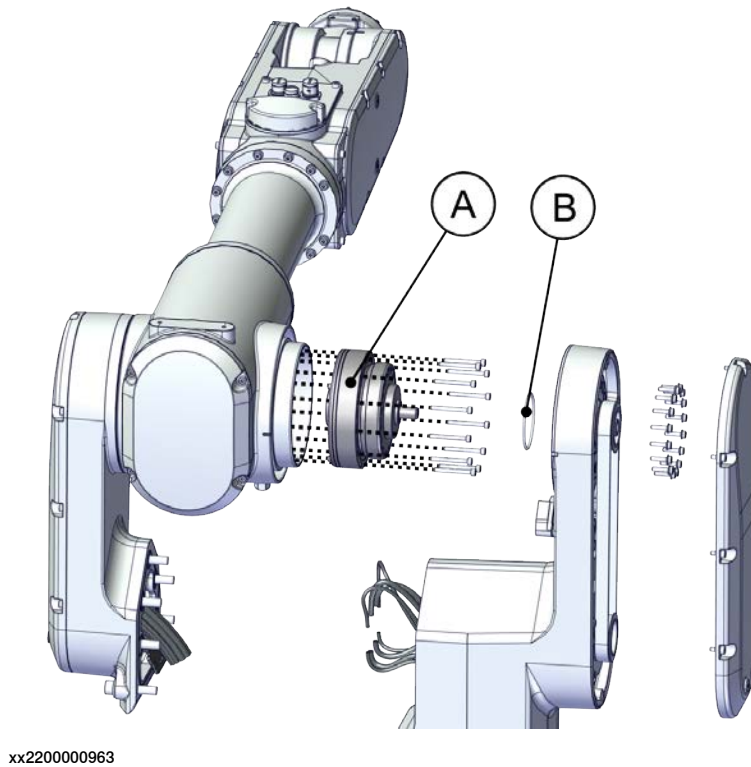
## 1.9.3 Axis-3 gearbox

### 1.9.3 Axis-3 gearbox

#### Spare part list

	Spare part number	Description	IP40	IP67	Spare part level
A	3HAC073080-001	Gear unit, axis 3	X	X	L2
B	3HAC061327-016	O-ring on circular spline side, axis 3		X	L2

#### Spare part illustration

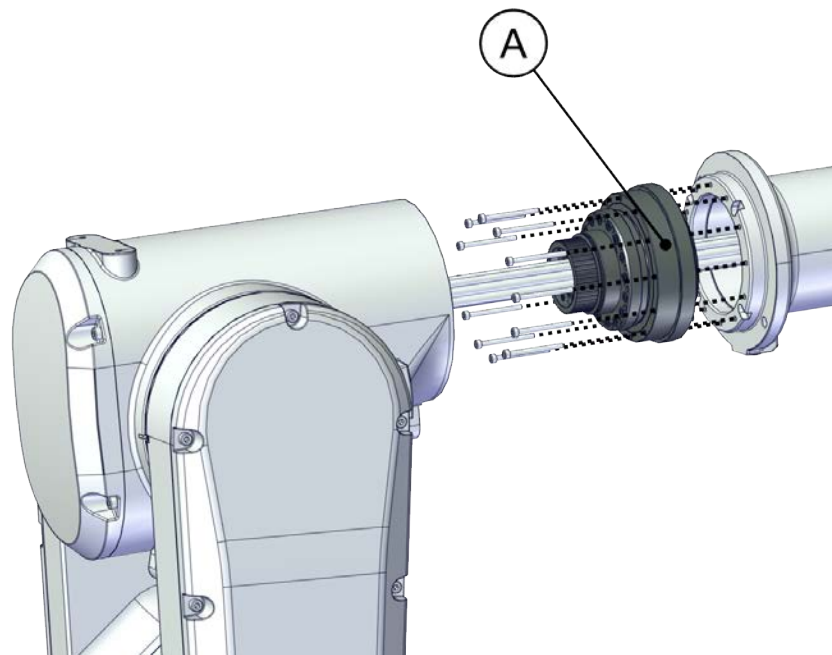


### 1.9.4 Axis-4 gearbox

#### Spare part list

	Spare part number	Description	IP40	IP67	Spare part level
A	3HAC073084-001	Gear unit, axis 4	X	X	L2
B	3HAC061327-017	O-ring on flexible spline side, axis 4		X	L2
C	3HAC061327-021	O-ring on circular spline side, axis 4		X	L2

#### Spare part illustration



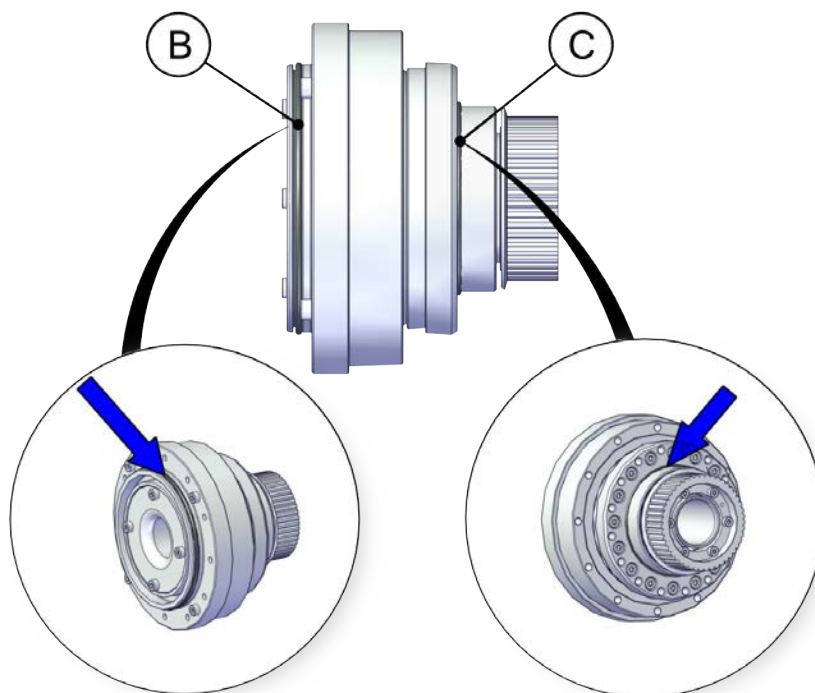
xx2000001249

*Continues on next page*

# 1 Spare parts and exploded views

## 1.9.4 Axis-4 gearbox

Continued



xx2000002336

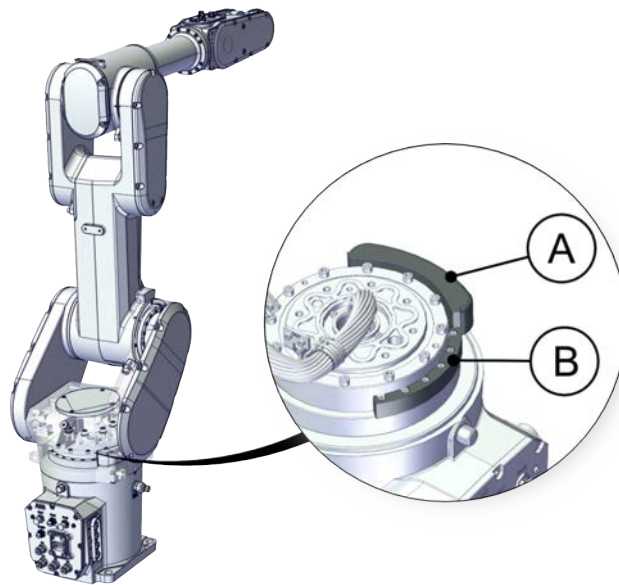
### 1.10 Spare parts - mechanical stops

#### 1.10.1 Axis-1 mechanical stops

##### Spare part list

	Spare part number	Description	IP40	IP67	Spare part level
A	3HAC065755-001	Mechanical stop, axis 1, slider	X	X	L2
B	3HAC064478-001	Mechanical stop, axis 1, fixed block	X	X	L2

##### Spare part illustration



xx2000000406

# 1 Spare parts and exploded views

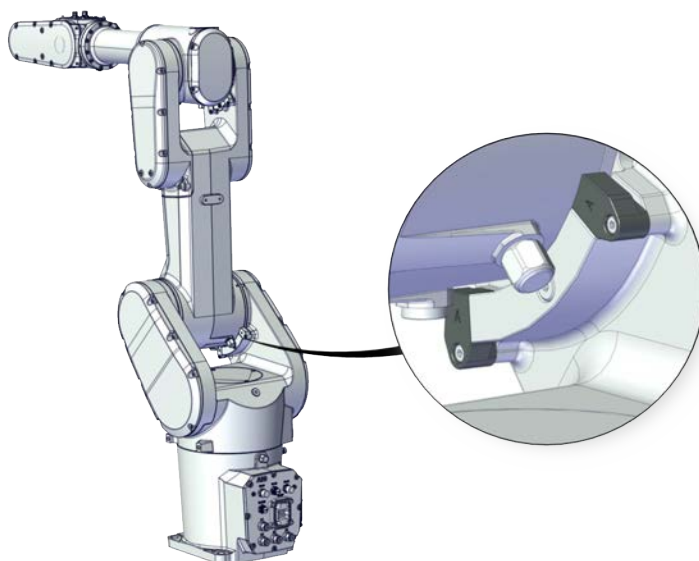
## 1.10.2 Axis-2 mechanical stops

### 1.10.2 Axis-2 mechanical stops

#### Spare part list

	Spare part number	Description	IP40	IP67	Spare part level
A	3HAC065651-001	Mechanical stop, block A	X	X	L1

#### Spare part illustration



xx200000407

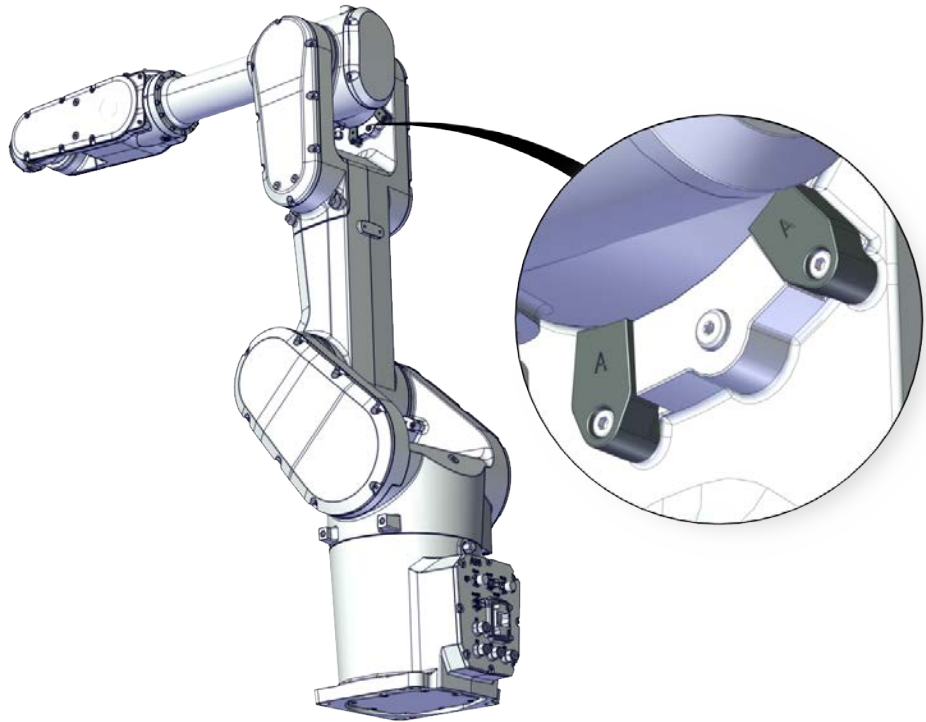
### 1.10.3 Axis-3 mechanical stops

#### Spare part list

	Spare part number	Description	IP40	IP67	Spare part level
A	3HAC065651-001	Mechanical stop, block A	X	X	L1
B	3HAC065671-001	Mechanical stop, block B Used for CRB 1300-10/1.15.	X	X	L1

#### Spare part illustration

CRB 1300-11/0.9, CRB 1300-7/1.4 and



xx200000408

*Continues on next page*

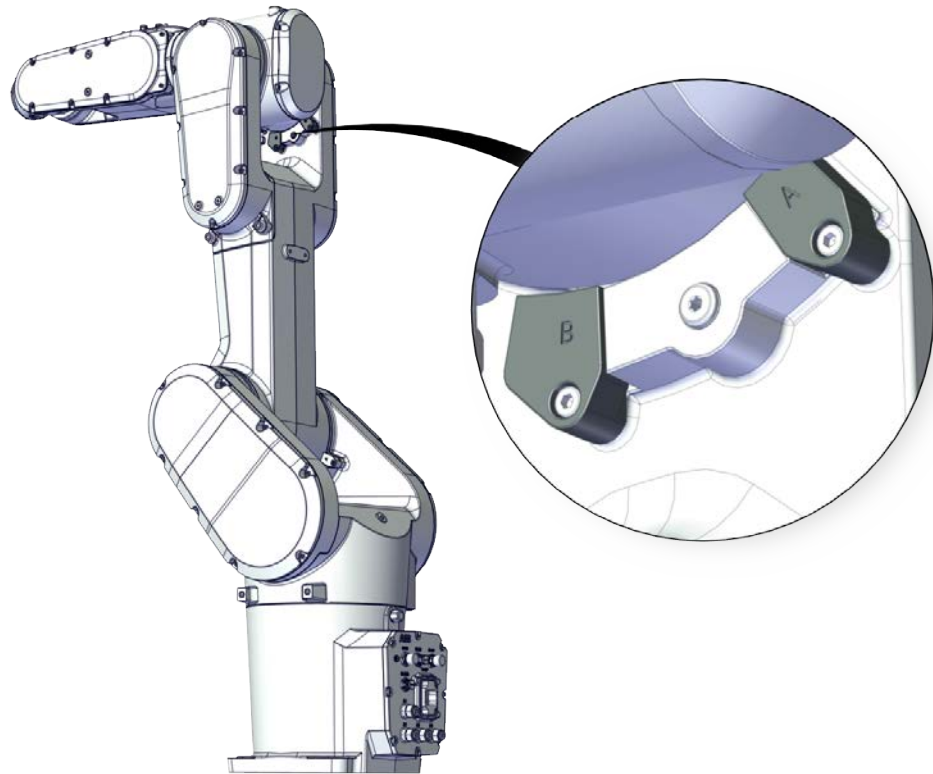
# 1 Spare parts and exploded views

---

## 1.10.3 Axis-3 mechanical stops

*Continued*

CRB 1300-10/1.15



xx200000471

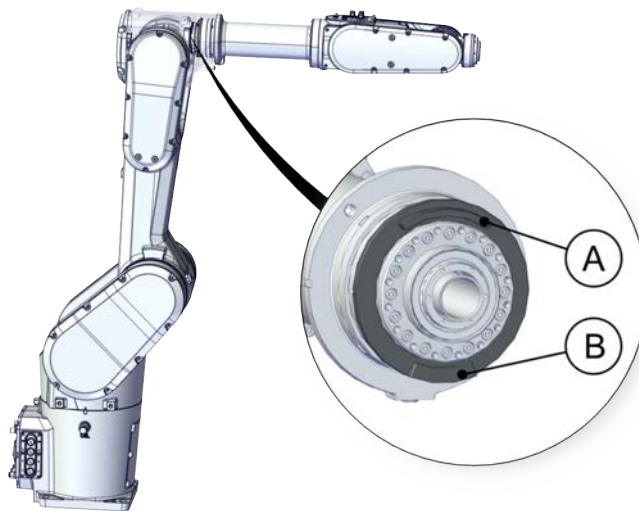


### 1.10.4 Axis-4 mechanical stops

#### Spare part list

	Spare part number	Description	IP40	IP67	Spare part level
A	3HAC065805-001	Mechanical stop, axis 4, flange	X	X	L2
B	3HAC065804-001	Mechanical stop, axis 4, slider	X	X	L2

#### Spare part illustration



xx2000000409

# 1 Spare parts and exploded views

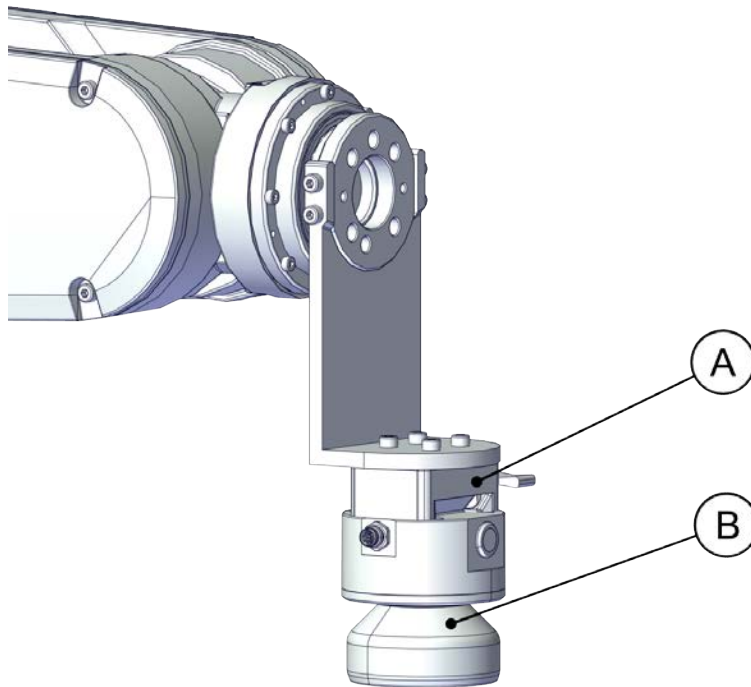
## 1.11 Spare parts - lead-through device

### 1.11 Spare parts - lead-through device

#### Spare part list

	Spare part number	Description	IP40	IP67	Spare part level
A	3HAC082591-001	Lead-through device base	X	X	L1
B	3HAC082590-001	Lead-through device with buttons	X	X	L1
-	3HAC085155-001	Cabling M8-M12, 700 mm (for lead-through device)	X	X	L1
-	3HAC077020-001	Ethernet cable M12- RJ45, 7m (for lead-through device)	X	X	L1

#### Spare part illustration



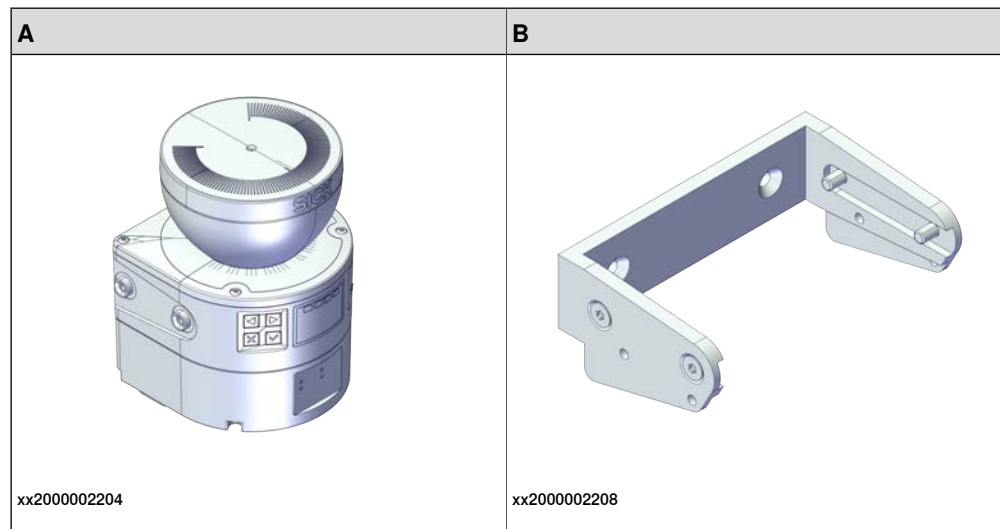
xx2200000951

### 1.12 Spare parts - laser scanner

#### Spare part list

	Spare part number	Description	IP40	IP67	Spare part level
A	3HAC075977-001	PROFINET-based laser scanner	X	X	L1
	3HAC082519-001	SafetyIO-based laser scanner	X	X	L1
B	3HAC076487-001	Mounting kit for laser scanner	X	X	L1
-	3HAC076489-001	Power cable 5 m (for PROFINET-based laser scanner)	X	X	L1
-	3HAC075978-001	Ethernet cable 5 m (for PROFINET-based laser scanner)	X	X	L1
-	3HAC076488-001	USB to Mini-USB cable, 3 m (for PROFINET-based laser scanner)	X	X	L1
-	3HAC082520-001	Power cable 5 m (for SafetyIO-based laser scanner)	X	X	L1
-	3HAC082521-001	Ethernet cable, 5 m (for SafetyIO-based laser scanner)	X	X	L1
-	3HAC082529-001	Signal cable 5 m (for SafetyIO-based laser scanner)	X	X	L1
-	3HAC082530-001	Ethernet cable, STS, 5 m Used for connecting two laser scanners.	X	X	L1

#### Spare part illustration



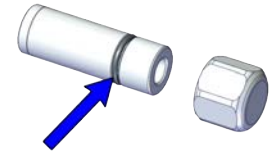

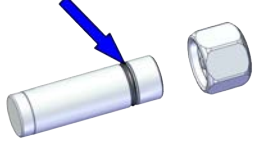
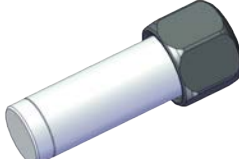
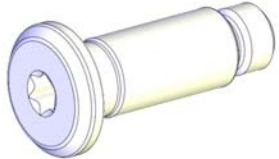
# 1 Spare parts and exploded views

## 1.13.1 Axis Calibration items

### 1.13 Spare parts - Accessories

#### 1.13.1 Axis Calibration items

##### Spare part list

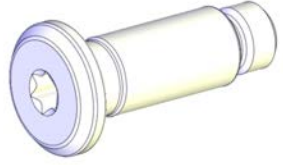
	Spare part number	Description	IP40	IP67	Illustration
A	3HAC061327-011	O-ring on calibration pin	X	X	 xx2000001253
B	3HAC056253-002	Calibration pin cover, 14 mm	X	X	 xx2000001252
C	3HAC061327-022	O-ring on calibration pin	X	X	 xx2000001255
D	3HAC056253-003	Calibration pin cover, 10 mm	X	X	 xx2000001254
E	3HAC053237-002	Protective plug for 12-mm bushing	X	X	 xx1600001042

Continues on next page

# 1 Spare parts and exploded views

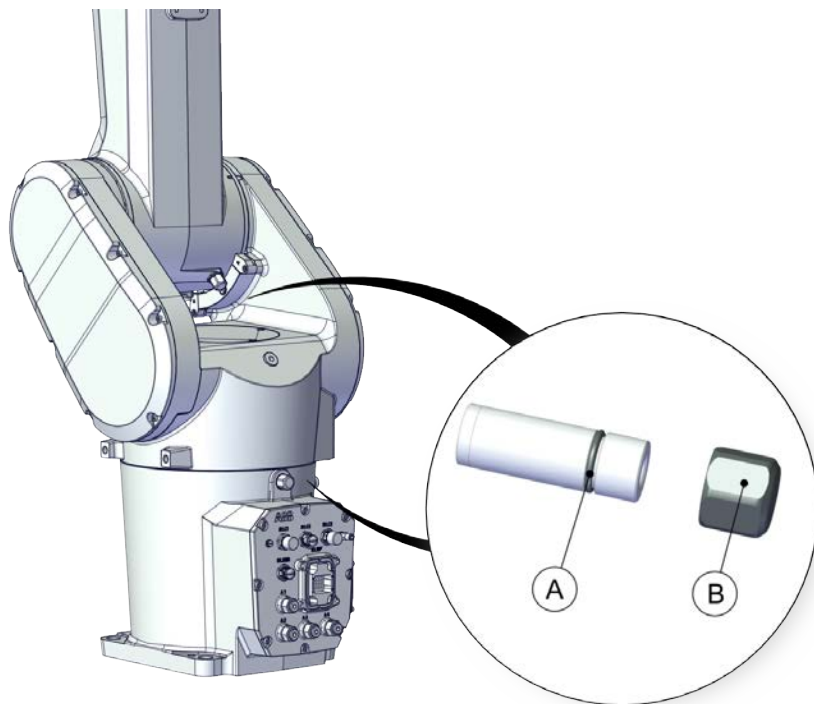
## 1.13.1 Axis Calibration items

*Continued*

	Spare part number	Description	IP40	IP67	Illustration
F	3HAC053237-003	Protective plug for 10-mm bushing	X	X	 xx1600001042

### Spare part illustration

#### Calibration pin covers and o-rings



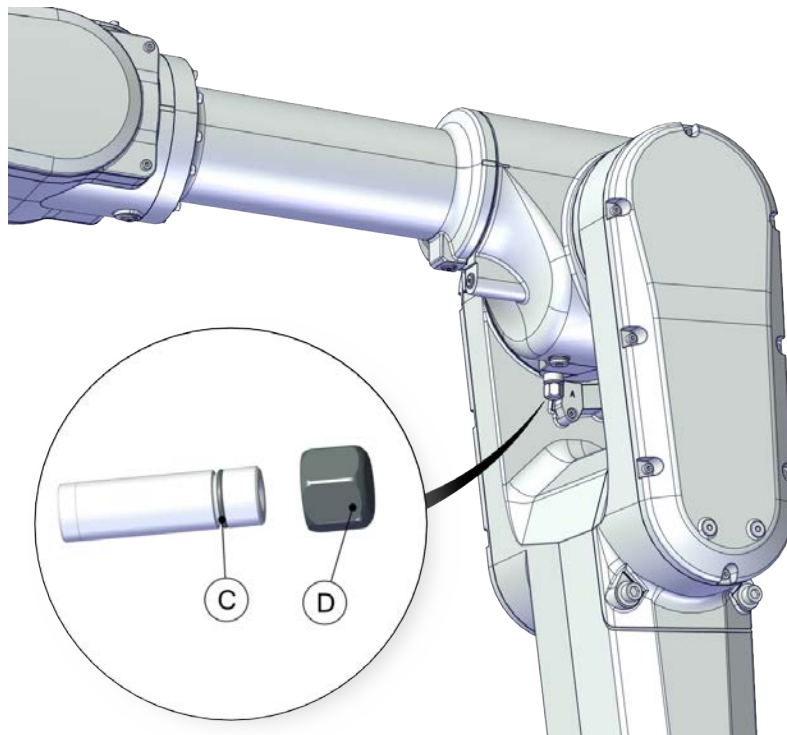
xx220000964

*Continues on next page*

# 1 Spare parts and exploded views

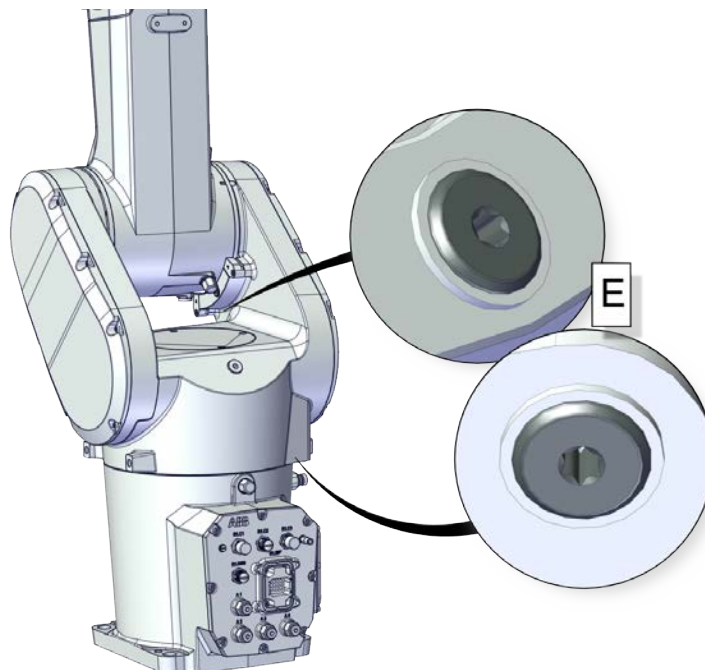
## 1.13.1 Axis Calibration items

*Continued*



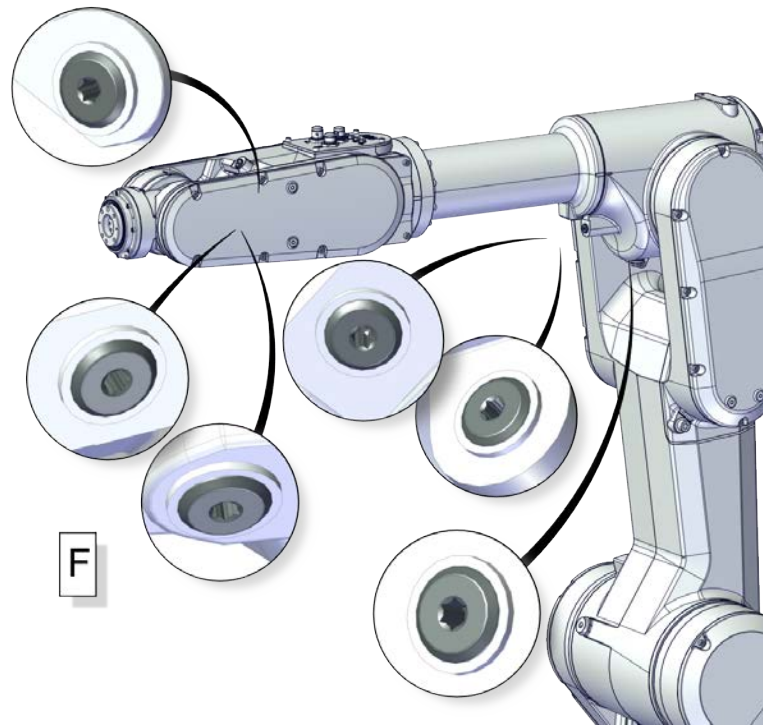
xx220000965

### Protective plugs for bushings



xx220000966

*Continues on next page*





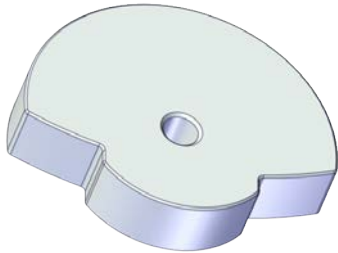
xx220000967

# 1 Spare parts and exploded views

## 1.13.2 Special tools

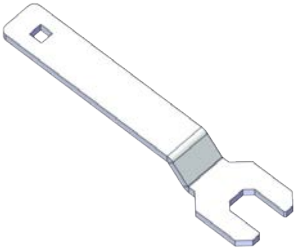
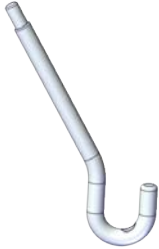
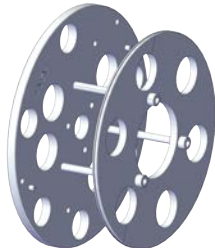
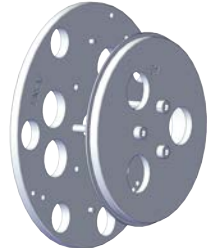
### 1.13.2 Special tools

#### Spare part list

Spare part number	Description	Illustration
3HAC076396-001	Special toolkit Includes Axis-1 gearbox assembly cap, Axis-1 gearbox/motor sealing pressfit tool, Axis-1 gearbox/motor sealing pressfit base, Guide pin for axis-2 gearbox, Quick coupling assembly tool and Tension adjustment tool for axis-4 timing belt.	
-	Axis-1 gearbox assembly cap	 xx2000001331
-	Axis-1 gearbox/motor sealing pressfit tool	 xx2000001332
-	Axis-1 gearbox/motor sealing pressfit base	 xx2000001333
-	Guide pin for axis-2 gearbox	 xx2000001334

Continues on next page



Spare part number	Description	Illustration
-	Quick coupling assembly tool	 <p>xx2000001335</p>
-	Tension adjustment tool for axis-4 timing belt	 <p>xx2000001336</p>
3HAC078203-001	Special toolkit for IP67 robots Used with protection class IP67. Used for the press-fitting of radial sealings. Includes two sets of radial sealing assembly tool for axes 2 to 3 .	
-	Radial sealing assembly tool, axis 2 Included in special toolkit 3HAC078203-001.	 <p>xx2000002381</p>
-	Radial sealing assembly tool, axis 3 Included in special toolkit 3HAC078203-001.	 <p>xx2000002382</p>
3HAC077885-001	Lifting accessory, robot Includes lifting accessories, lifting beam and screws.	







**ABB AB**

**Robotics & Discrete Automation**

S-721 68 VÄSTERÅS, Sweden

Telephone +46 (0) 21 344 400

**ABB AS**

**Robotics & Discrete Automation**

Nordlysvegen 7, N-4340 BRYNE, Norway

Box 265, N-4349 BRYNE, Norway

Telephone: +47 22 87 2000

**ABB Engineering (Shanghai) Ltd.**

Robotics & Discrete Automation

No. 4528 Kangxin Highway

PuDong New District

SHANGHAI 201319, China

Telephone: +86 21 6105 6666

**ABB Inc.**

**Robotics & Discrete Automation**

1250 Brown Road

Auburn Hills, MI 48326

USA

Telephone: +1 248 391 9000

**[abb.com/robotics](http://abb.com/robotics)**